

# TECO

## OUTLINE DIMENSIONS

MOTOR TYPE:  
AMRCED-S  
FRAME NO. 326VP

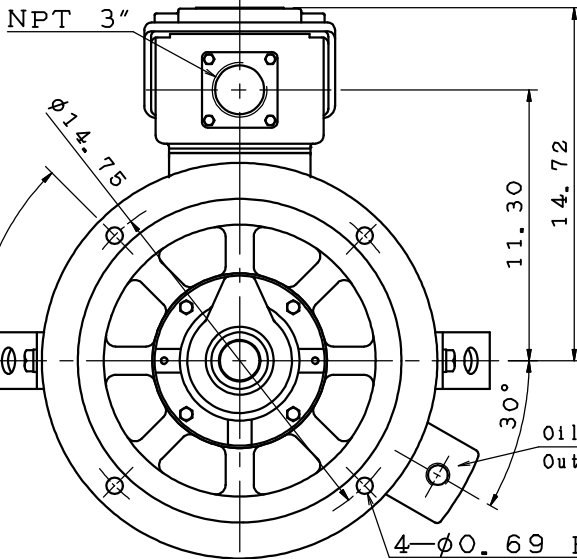
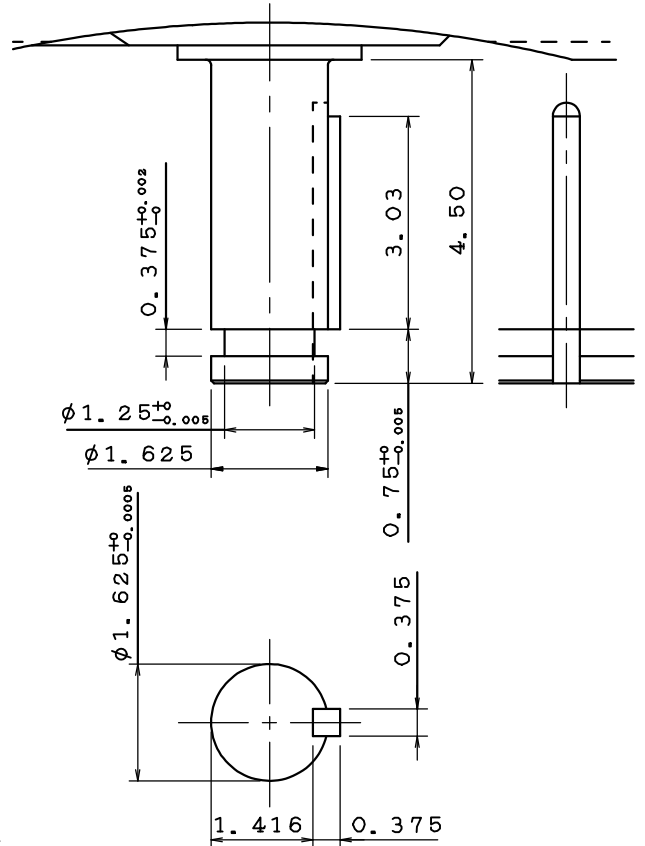
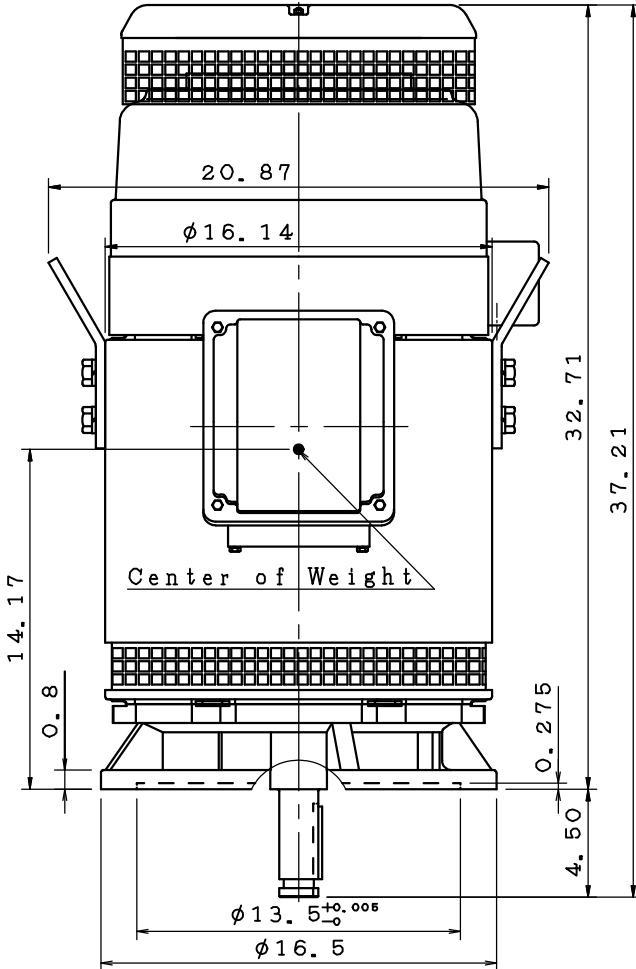
DATE

### 3-PHASE INDUCTION MOTOR

Pole	HP	kW	Hz	VOLT	r/min
4	50	—	60	—	1800

Ins	Rating	Dimension in	Approx Weight	Bearings
F	CONT.	inch	325kg	DE:6312C3 NDE:7220B

NEMA Weather Protected TYPE I (WP I). Squirrel-cage Rotor.



Note:

1. Downthrust: 5700 lbs (L<sub>10</sub>: 8800 hrs.)
2. Rotation: C. C. W (View from Top)
3. Without N. R. R.
4. Approx Reed Frequencies: 78.1 Hz
5. Upper Bearing (Oil lube)  
Kind of Oil: Turbine Oil — 300SSU/100° F (ISO VG68)  
Quantity: 0.27 Gallons.

Oil Gauge, Oil Inlet and Outlet (UPPER BEARING)

4- $\phi 0.69$  Holes

TA18122A-00-00

DWG.	簡學民	10.02.18
CHKD.	簡學民	10.02.18
APPD.	徐聰豪	10.02.18

**東元電機股份有限公司**  
**TECO Electric & Machinery Co., Ltd.**

TAIWAN

DWG NO.  
31057H809310